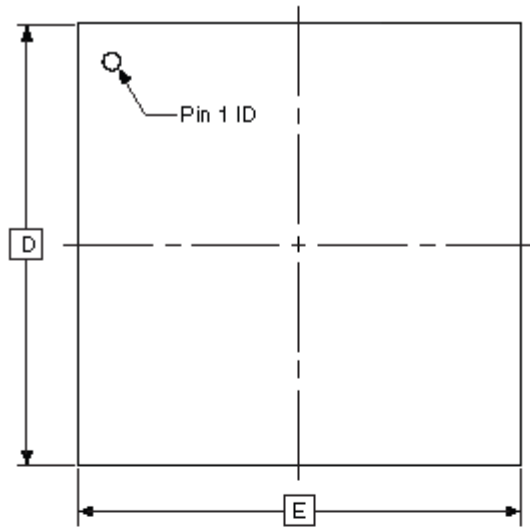


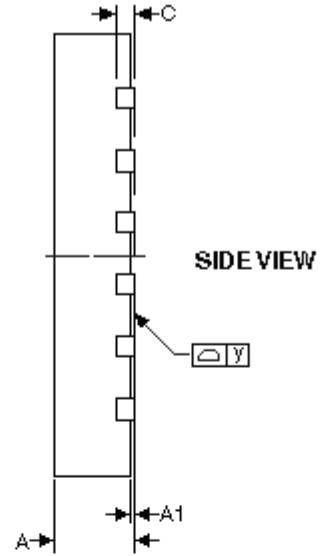
Wiring scheme for 40 pin DIL to QFN44.

| DIL40 | QFN44 |
|-------|-------|
| 1     | 40    |
| 2     | 41    |
| 3     | 42    |
| 4     | 43    |
| 5     | 44    |
| 6     | 1     |
| 7     | 2     |
| 8     | 3     |
| 9     | 4     |
| 10    | 5     |
| 11    | 7     |
| 12    | 8     |
| 13    | 9     |
| 14    | 10    |
| 15    | 11    |
| 16    | 12    |
| 17    | 13    |
| 18    | 14    |
| 19    | 15    |
| 20    | 16    |
| 21    | 18    |
| 22    | 19    |
| 23    | 20    |
| 24    | 21    |
| 25    | 22    |
| 26    | 23    |
| 27    | 24    |
| 28    | 25    |
| 29    | 26    |
| 30    | 27    |
| 31    | 29    |
| 32    | 30    |
| 33    | 31    |
| 34    | 32    |
| 35    | 33    |
| 36    | 34    |
| 37    | 35    |
| 38    | 36    |
| 39    | 37    |
| 40    | 38    |

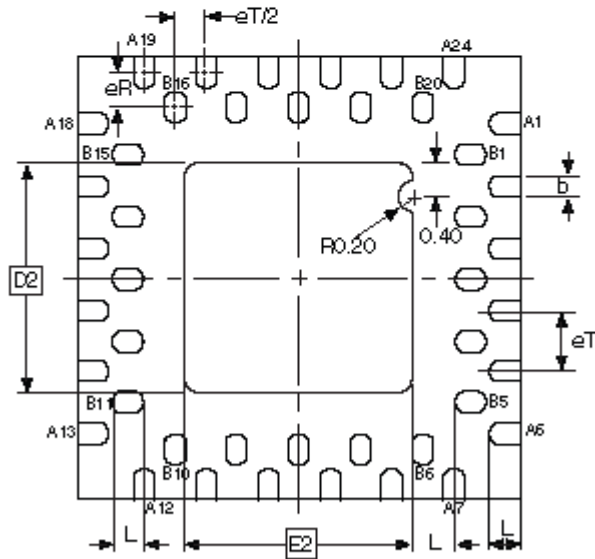
### QFN44



**TOP VIEW**



**SIDE VIEW**



**BOTTOM VIEW**

**COMMON DIMENSIONS**  
(Unit of Measure = mm)

| SYMBOL | MIN      | NOM  | MAX   | NOTE |
|--------|----------|------|-------|------|
| A      | 0.80     | 0.90 | 1.00  |      |
| A1     | 0.00     | 0.02 | 0.05  |      |
| b      | 0.18     | 0.23 | 0.30  |      |
| C      | 0.20 REF |      |       |      |
| D      | 4.90     | 5.00 | 5.10  |      |
| D2     | 2.55     | 2.60 | 2.65  |      |
| E      | 4.90     | 5.00 | 5.10  |      |
| E2     | 2.55     | 2.60 | 2.65  |      |
| eT     | -        | 0.70 | -     |      |
| eR     | -        | 0.40 | -     |      |
| K      | 0.45     | -    | -     |      |
| L      | 0.30     | 0.35 | 0.40  |      |
| y      | 0.00     | -    | 0.075 |      |